

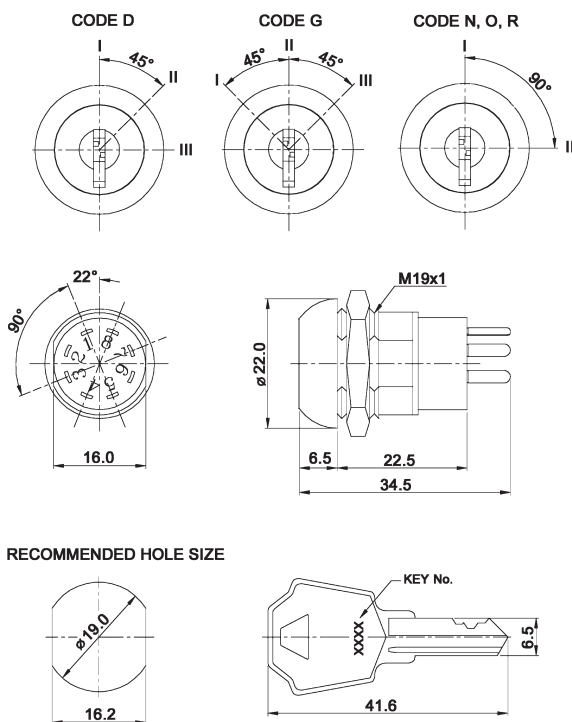


Key Switches

Specifications:

| | |
|------------------------|---|
| Contact rating: | 250 V AC, 2 A; 125 V AC, 4 A |
| Contact resistance: | < 50 mΩ |
| Insulation resistance: | > 500 MΩ |
| Dielectric strength: | 1500 V, 50 Hz for the duration of 1 minute |
| Operating temperature: | -20 °C to +70 °C |
| Mechanical life: | minimum 10 000 steps |
| Material: | Case: zinc alloy, chromium-plated Contacts and Terminals: gold-plated Key: steel, nickel-plated |
| Mounting: | single-hole mounting, 19 mm diameter |

| Models: | Switching functions | Key removable in pos |
|-----------|--------------------------------|----------------------|
| MRK 216 D | double pole, on – on – on | III |
| MRK 216 G | single-pole, on – on – on | II |
| MRK 216 N | single pole, on – on | I |
| MRK 216 O | double pole, on – on | I |
| MRK 216 R | single pole, on – on | I, II |
| MRK 216 | MRK 216 N with wires/connector | I |



Switches are always supplied with 2 keys.